

PAN-PWRSP

# 96 VA Power Supply

## Description

The PAN-PWRSP Power Supply is a 96 VA Class 2 power supply incorporating a 5 A circuit breaker, a 96 VA 120/24 VAC transformer, and two 120 V convenience outlets. The high voltage terminals of the power supply are covered, for compliance with NFPA 70E requirements.

The two 120 V convenience outlets provided with the power supply are always energized and usable for power connections such as a laptop computer (5 A maximum). The 5 A circuit breaker provides circuit protection for the primary side of the power supply and protects the two-position terminal block positions that allow a direct connection to a second transformer for applications requiring more than 96 VA.

The 4 A circuit breaker is manually resettable and protects the secondary winding. The secondary lead wires are 20 in. long.

A model is also available that has been tested and listed by Underwriters Laboratories Inc.® (UL) for use in a Metasys® system UL 864 UUKL Ninth Edition Smoke Control System.

## Features

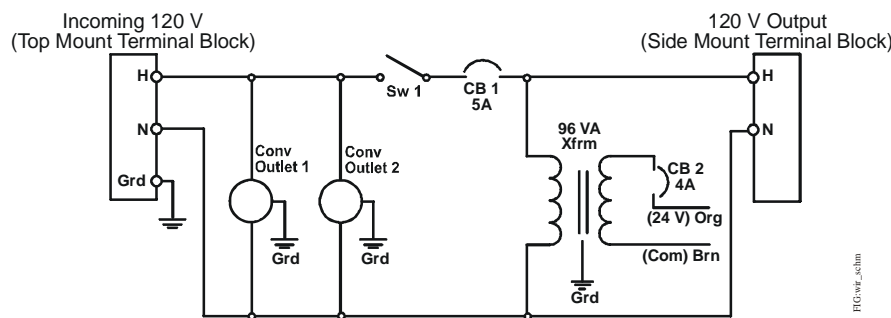
- power supply with resettable circuit breaker and transformer provides high- and low-voltage protection
- power supply pre-built, pre-wired, and pretested in an ISO-9002 manufacturing facility provides products of consistently high quality
- covers over high voltage terminal blocks provide protection

## Repair Information

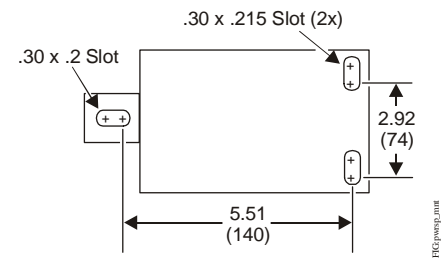
If the PAN-PWRSP power supply fails to operate within its specifications, replace the unit. For a replacement power supply, contact the nearest Johnson Controls® representative.



PAN-PWRSP 96 VA Power Supply



Power Supply Internal Wiring Schematic



Power Supply Mounting Dimensions, in. (mm)

## Selection Chart

Product Code Number	Description
PAN-PWRSP	96 VA Class 2 120/24 VAC power supply
PAN-PWRSP-U	96 VA Class 2 120/24 VAC power supply, compliant for UL 864 UUKL Ninth Edition Smoke Control System

## Technical Specifications

PAN-PWRSP 96 VA Power Supply	
Frequency	50/60 Hz
Transformer Class	Class 2
Circuit Protection	5 A circuit breaker provides 120 V protection for the primary side of the power supply and 120 V side-mounted terminal block 4 A circuit breaker provides protection for the 24 V secondary winding
Operating Temperature	32 to 158°F (0 to 70°C)
Dimensions	6.25 in. W x 3.94 in. H x 4.5 in. D (159 mm W x 100 mm H x 114 mm D)
Weight	5.15 lb (2.3 kg)
Agency Compliance	PAN-PWRSP: UL/cUL Listed according to UL 508 UL CCN# NMTR PAN-PWRSP-U: UL Listed according to UL 864 Meets requirements of UL508A for operation at 100% load.